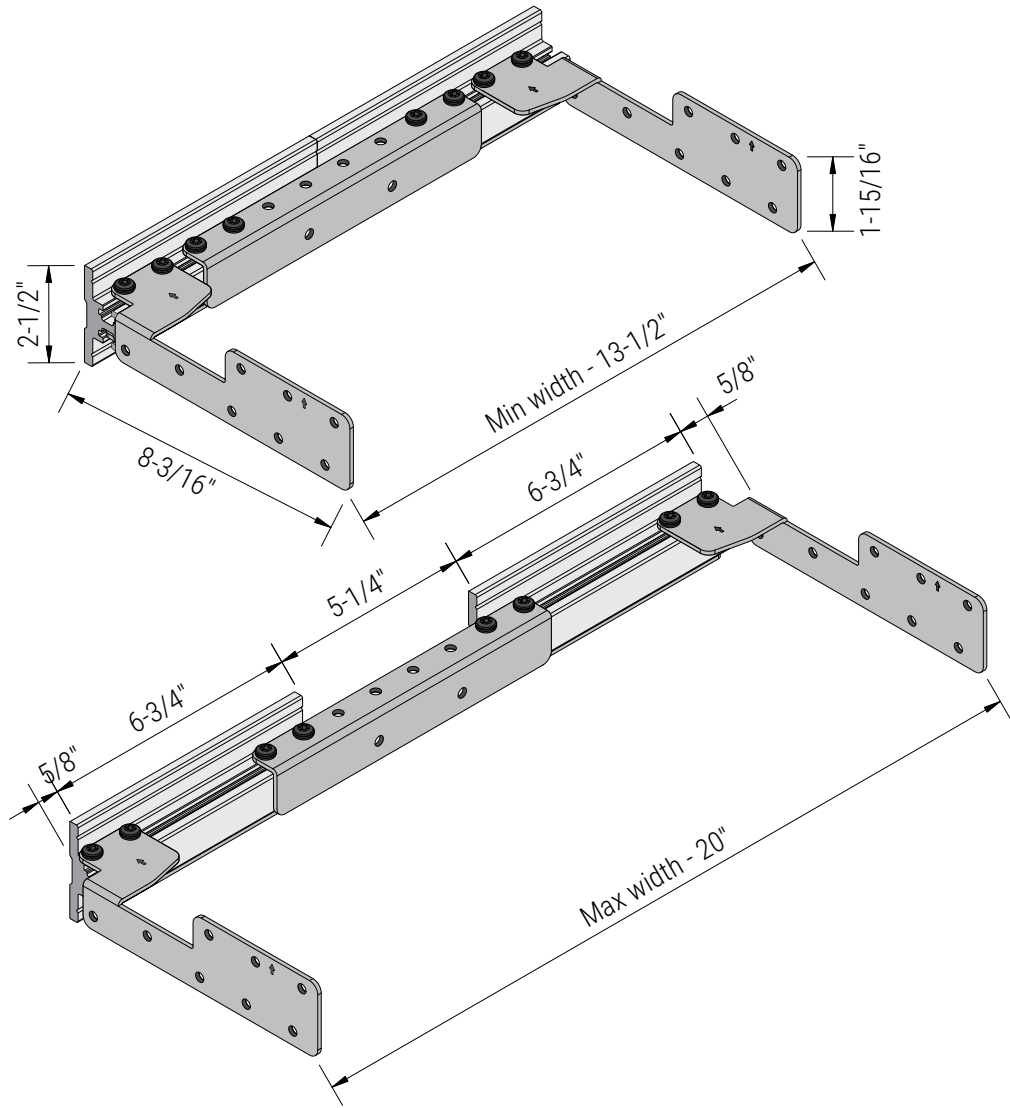




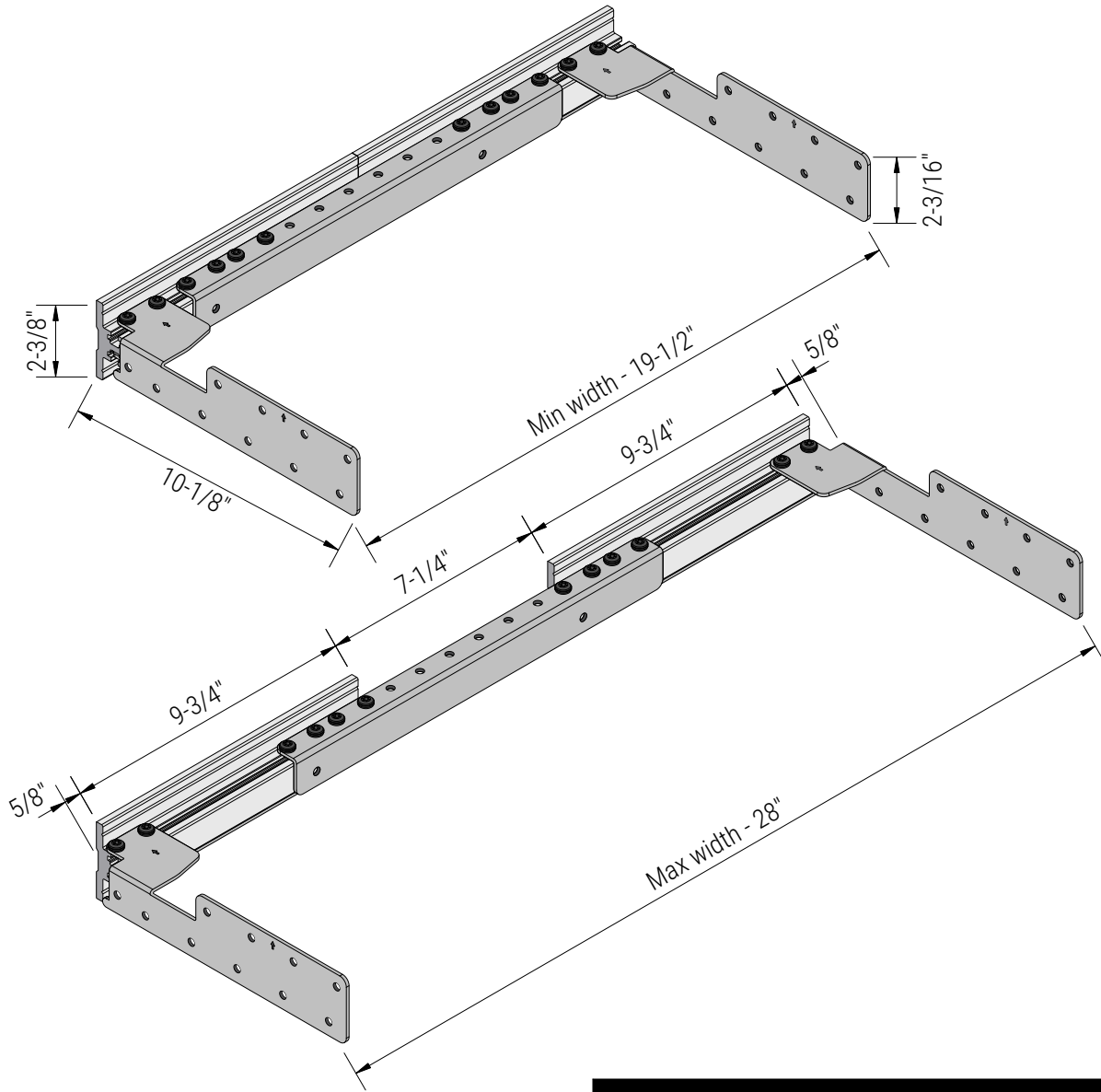
# FVB-1521 Specs



<b>Cabinet Requirements</b>	
<b>FVB System Dimensions</b>	
Min overall width: 13-1/2"	Max overall width: 20"
<b>1/2" Cabinet Sides</b>	
Min cabinet width: 14-1/2"	Max cabinet width: 21"
<b>3/4" Cabinet Sides</b>	
Min cabinet width: 15"	Max cabinet width: 21-1/2"
<b>Weight Limit</b>	
1 Stud	2 Studs
500 lb	1000 lb



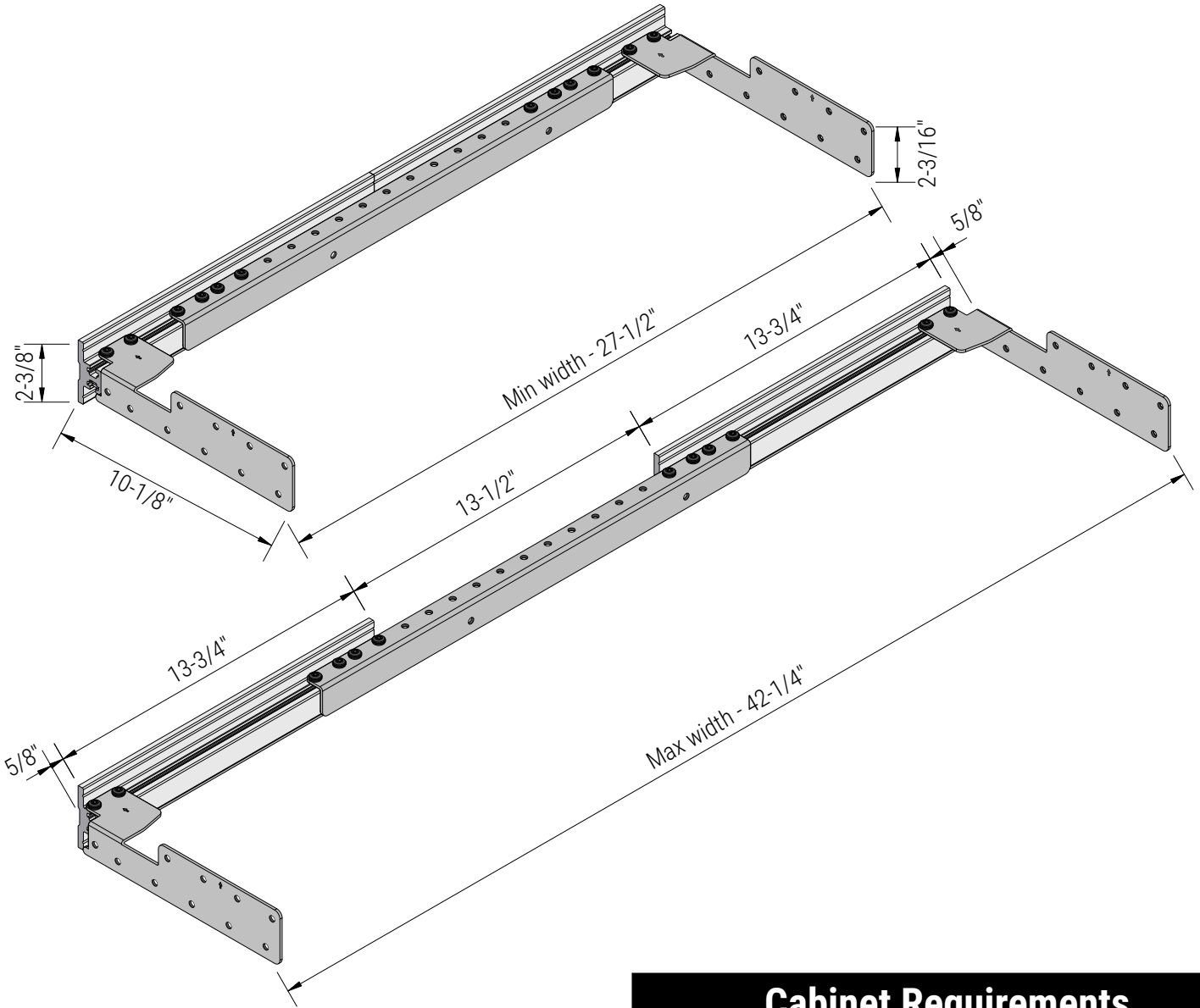
# FVB-2129 Specs



<b>Cabinet Requirements</b>	
<b>FVB System Dimensions</b>	
Min overall width: 19-1/2"	Max overall width: 28"
<b>1/2" Cabinet Sides</b>	
Min cabinet width: 20-1/2"	Max cabinet width: 29"
<b>3/4" Cabinet Sides</b>	
Min cabinet width: 21"	Max cabinet width: 29-1/2"
<b>Weight Limit</b>	
1 Stud	2 Studs
500 lb	1000 lb



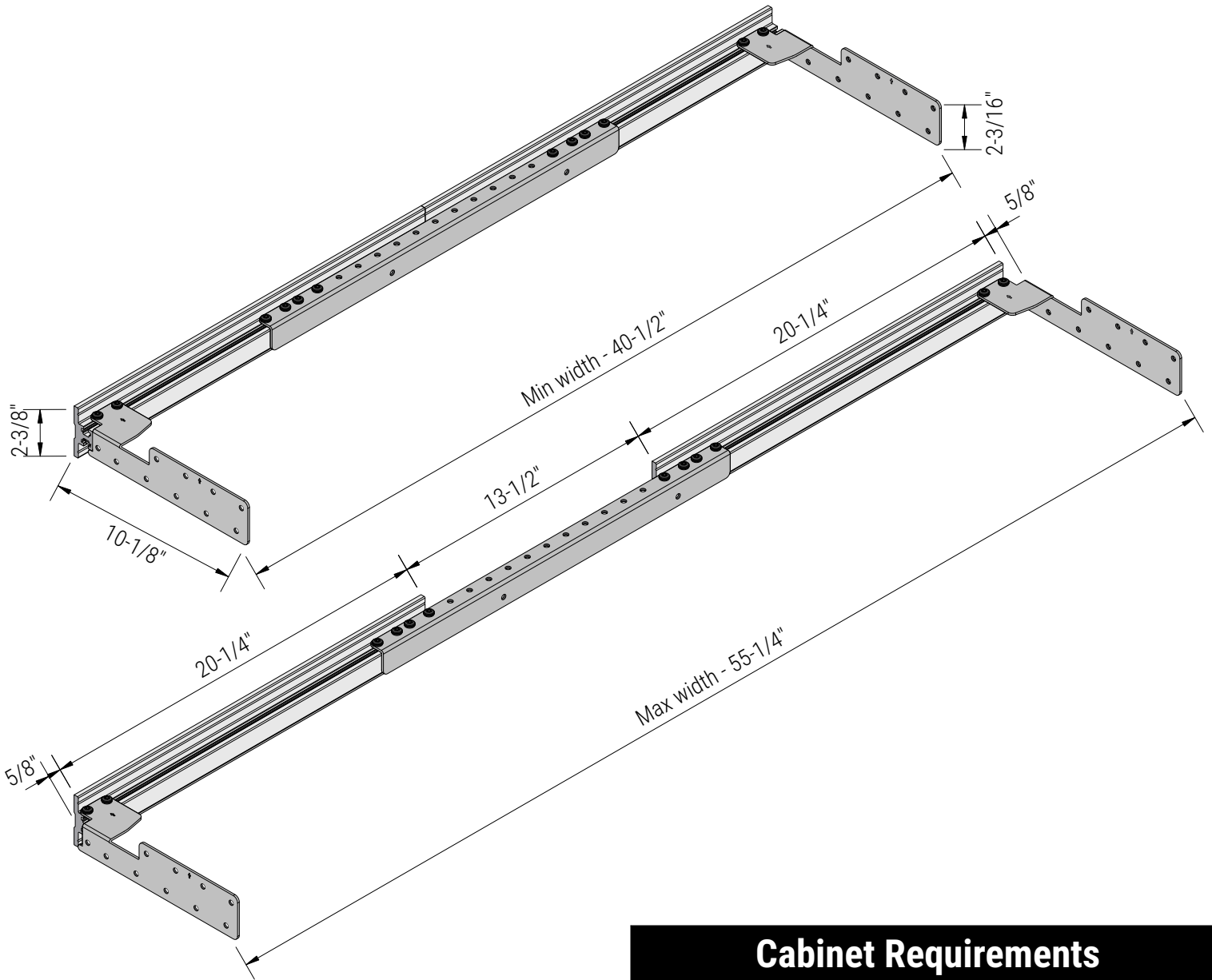
# FVB-2942 Specs



<b>Cabinet Requirements</b>	
<b>FVB System Dimensions</b>	
Min overall width: 27-1/2"	Max overall width: 42-1/4"
<b>1/2" Cabinet Sides</b>	
Min cabinet width: 28-1/2"	Max cabinet width: 43-1/4"
<b>3/4" Cabinet Sides</b>	
Min cabinet width: 29"	Max cabinet width: 43-3/4"
<b>Weight Limit</b>	
1 Stud	2 Studs
500 lb	1000 lb



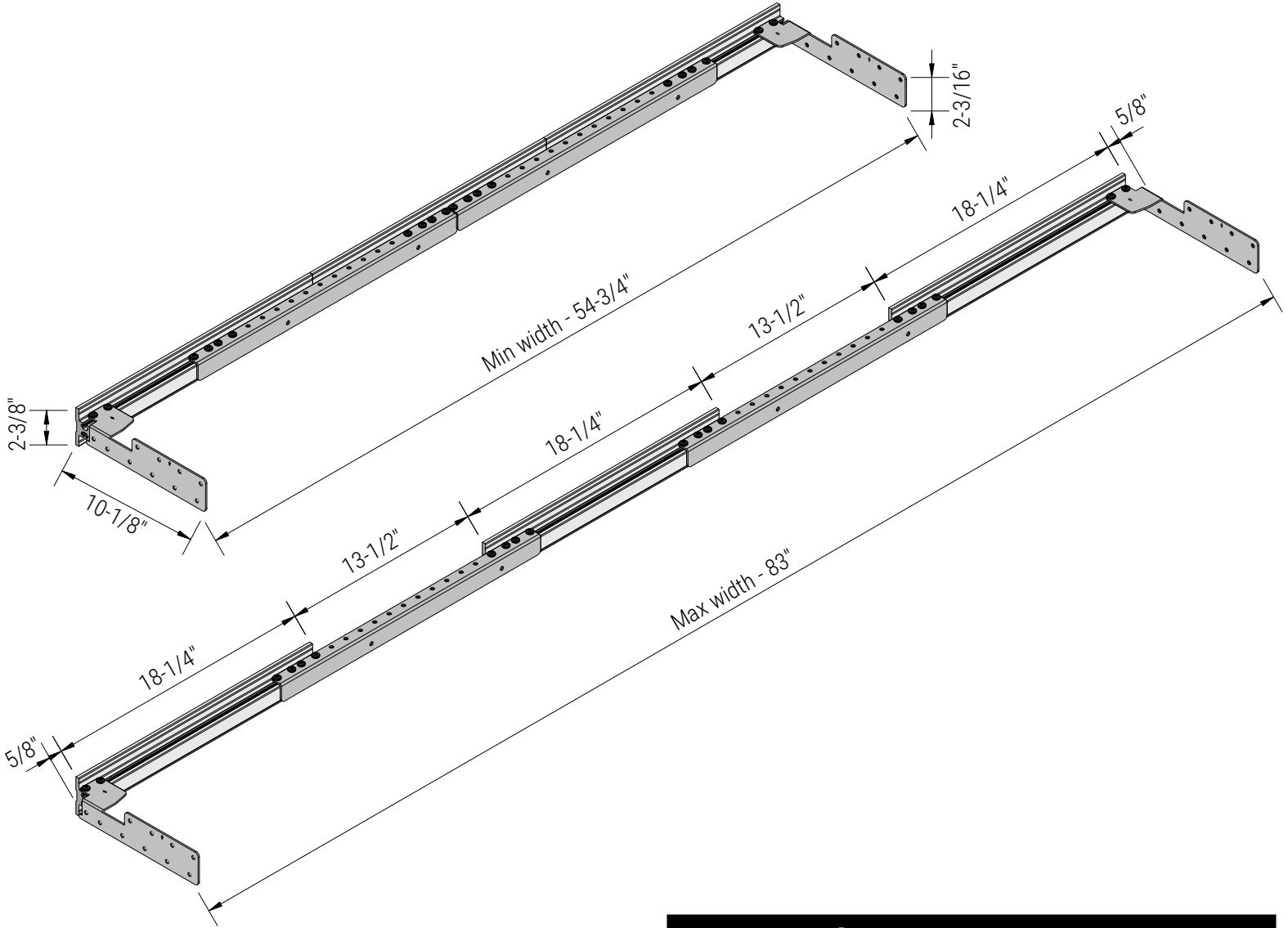
# FVB-4256 Specs



<b>Cabinet Requirements</b>	
<b>FVB System Dimensions</b>	
Min overall width: 40-1/2"	Max overall width: 55-1/4"
<b>1/2" Cabinet Sides</b>	
Min cabinet width: 41-1/2"	Max cabinet width: 56-1/4"
<b>3/4" Cabinet Sides</b>	
Min cabinet width: 42"	Max cabinet width: 56-3/4"
<b>Weight Limit</b>	
1000 lb	



# FVB-5684 Specs



<b>Cabinet Requirements</b>	
<b>FVB System Dimensions</b>	
Min overall width: 54-3/4"	Max overall width: 83"
<b>1/2" Cabinet Sides</b>	
Min cabinet width: 55-3/4"	Max cabinet width: 84"
<b>3/4" Cabinet Sides</b>	
Min cabinet width: 56-1/4"	Max cabinet width: 84-1/2"
<b>Weight Limit</b>	
1000 lb	